

PACIFIC FISHERY MANAGEMENT COUNCIL



*CHAIR'S
RECEPTION*

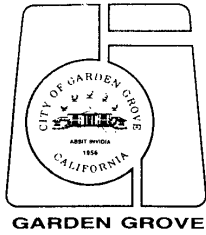
Thursday, June 20, 2013

6:00 p.m.

Pool – North Tower

Hyatt Regency Orange County

Garden Grove, California



GARDEN GROVE TRANSIENT OCCUPANCY TAX EXEMPTION
REQUEST FORM

This form must be completed by all employees/officers of the federal government or federal credit union requesting exemption from Transient Occupancy Tax. Any exemption applies only for the days which the employee/officers are engaged in official business as stated on your traveling orders or conference agenda. Any additional charges incurred due to others staying with the employee/officer are subject to transient occupancy tax.

Name of Hotel/Motel _____

Address of Hotel/Motel _____

Federal Employee/Officer Occupying Room _____

Title _____ Business Phone _____

Name of Employer _____

Employer Address _____

Direct Supervisor's Name and Telephone _____

Exemption Dates _____
(occupancy dates in which you are engaged in official federal government business)

I hereby certify that I am a federal government employee or federal credit union employee and my motel/hotel stay at the above named facility is to be used for federal government/credit union business. If this stay is used in whole or on part for non-business purposes, I shall be liable for payment of transient occupancy tax to the City of Garden Grove for any non-business days.

I hereby certify under penalty of perjury under the laws of the State of California that the foregoing is true and correct. Executed in Garden Grove, California on

_____, _____
month day year

Signature of Employee/ Officer Occupying Printed Name of Employee/Officer

TO BE RETAINED BY OPERATORS OF HOTELS
MOTELS, AND SIMILAR ACCOMMODATIONS AS
EVIDENCE OF EXEMPT OCCUPANCY

EXEMPTION CERTIFICATE
TAX ON OCCUPANCY
OF HOTEL ROOMS

Imposed Pursuant to
Articles of the Tax Law

NAME OF HOTEL, APARTMENT HOTEL, OR LODGING HOUSE

DATES

Hyatt Regency Orange County

June 17 - 26, 2013

11999 Harbor Blvd., Garden Grove, California 92840

ADDRESS

This is to certify that the above individuals are representatives of the United States Governmental department, agency or instrumentality indicated below; that the charges for the occupancy at the above establishment on the dates set forth below have been or will be paid for by such governmental unit; and that such charges are incurred in the performance of official duties as representatives or employees of such governmental unit.

DATES OF
OCCUPANCY

Group Name: Pacific Fishery
Management Council

Dates: June 17-26, 2013

SIGNATURE

GOVERNMENTAL
UNIT

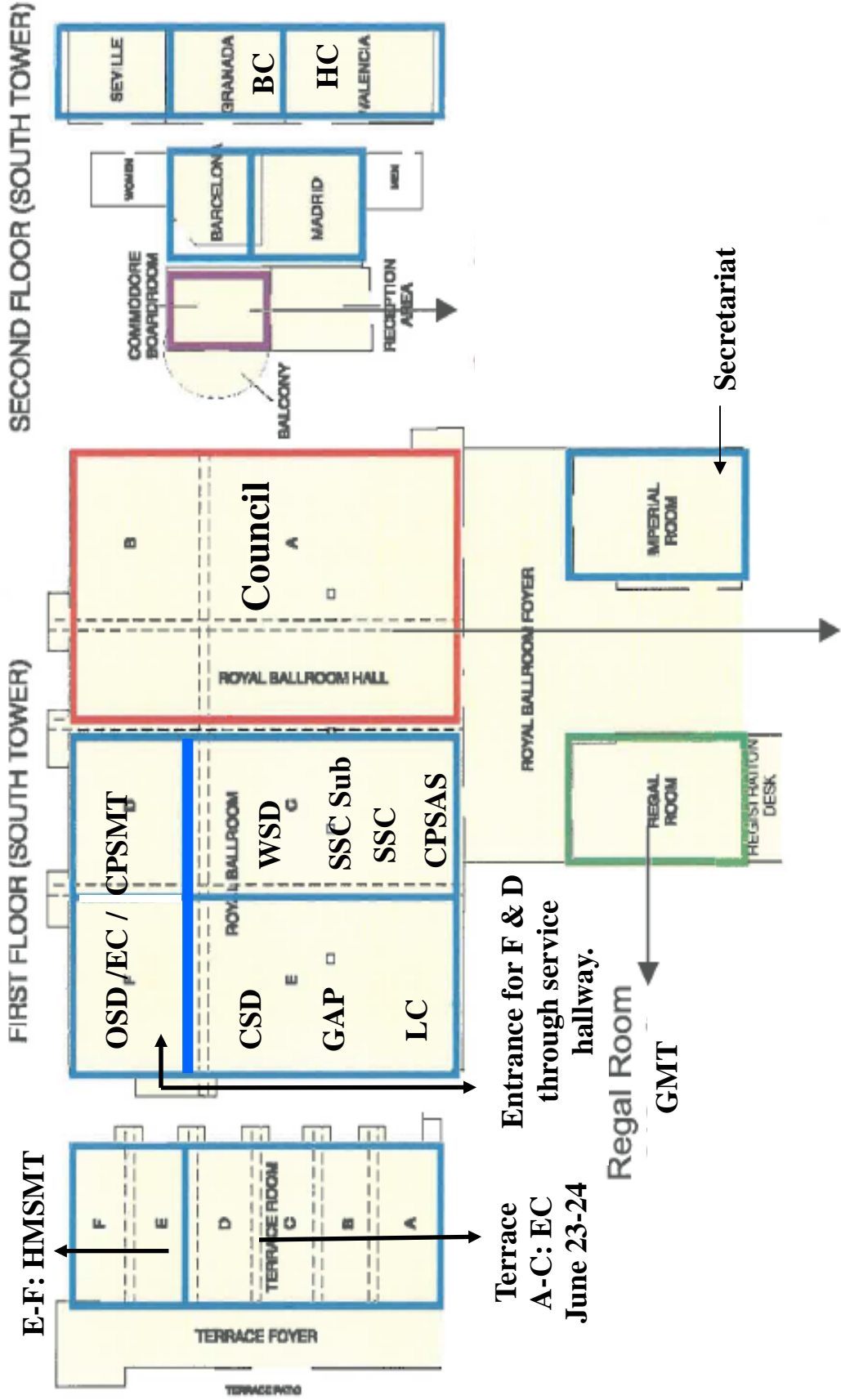
DOC/NOAA/NMFS/
Pacific Fishery Management Council

TITLE



The Pacific Fishery Management Council is a federal instrumentality operating under authority of the United States Department of Commerce, National Oceanic and Atmospheric Administration.





DIRECTIONS

Hyatt Regency Orange County

11999 Harbor Blvd.
Garden Grove, California, USA, 92840
714 750 1234

From Los Angeles Int'l Airport (LAX):

Origination: 1 World Way, Los Angeles, CA 90045:

I-105 East to
I-605 South to
CA-91 East to
I-5 South
Exit Harbor Boulevard South (Exit 110A)
Our Orange County hotel is 1.8 miles on right, at Chapman and Harbor

From Orange County/John Wayne Airport (SNA):

Origination: 18601 Airport Way, Santa Ana, CA 92707

I-405 North to
CA-55 North to
I-5 North
Exit Chapman Avenue
Turn left on Chapman Avenue
Our Orange County hotel is 1.5 miles on right, at Chapman and Harbor

From Hyatt Regency Orange County to Disneyland® Resort Anaheim

Head south on Harbor Boulevard
U-turn at W. Manchester Avenue
Entrance to Disneyland Resort will be on immediate right

1313 South Harbor Boulevard
Anaheim, CA 92802

Contact Hyatt Regency Orange County Guest Services at:
714 740 6051 for more information.



Hyatt Regency Orange County
11999 Harbor Boulevard
Garden Grove, CA 92840
T: 714 740 6116
F: 714 971 1721
www.orangecounty.hyatt.com

Local Transportation

Disneyland® Resort Shuttle

- Distance 1 mile
- Shuttle departs the hotel on the top of and :30 after each hour
- Shuttle picks up from Disneyland at :20 and :50 after each hour

Anaheim Convention Center

- Distance 1 mile
- Taxi service approximately \$7 - \$10
- Arrange transportation for your large group to any of these destinations with your dedicated Sales Representative
- All other transportation arrangements can be made by calling the hotel concierge directly at 714 750 1234

• Contact the hotel concierge to arrange shuttles and daily tours to the following:

- Knott's Berry Farm
- Medieval Times
- Los Angeles Tours / Hollywood
- Universal Studios Los Angeles
- Sea World San Diego

• Super Shuttle telephone: 800 200 6655

*Prices may vary and are subject to change

John Wayne / Orange County Airport

- Distance 13 miles
- Super Shuttle \$10/person each way
- Disneyland Resort Bus \$11/person to airport
- Town car \$50 one way
- SUV \$55 one way
- Van \$75 one way (up to 10 passengers)
- Limo \$85 one way + 20% service charge

Long Beach Airport

- Distance 17 miles
- Super Shuttle \$35/person each way
- Town car \$60 one way
- SUV \$70 one way
- Van \$75 one way (up to 10 passengers)
- Limo \$110 one way + 20% service charge

Los Angeles International Airport

- Distance 37 miles
- Super Shuttle \$16/person each way
- Disneyland Resort Bus \$17/person to airport
- Town car \$100 one way
- SUV \$110 one way
- Van \$120 one way (up to 10 passengers)
- Limo \$140 one way + 20% service charge





Hyatt Regency Orange County
11999 Harbor Boulevard
Garden Grove, CA 92840
T: 714 740 6116
F: 714 971 1721
www.orangecounty.hyatt.com

Orange County Attractions

Disneyland® Resort

- Disneyland Park, Disney's California Adventure Park, Downtown Disney
- Located 1 mile from the hotel
- Shuttle provided every ½ hour to/from the hotel

Angel Stadium

- Home of MLB's Los Angeles Angels of Anaheim
- Located 2 miles from the hotel

Honda Center

- Home of the NHL's Anaheim Ducks
- Located 2.5 miles from the hotel

The Anaheim GardenWalk

- Outdoor retail shops, dining and entertainment
- Located 1.5 miles from the hotel

The Block at Orange

- Outdoor retail shops, dining and entertainment
- Located 2 miles from the hotel

South Coast Plaza

- Premier, upscale shopping and dining
- Located 13 miles from the hotel

Knott's Berry Farm

- Family theme park
- Located 9 miles from the hotel

Medieval Times

- Theme dinner and jousting tournament
- Located 9 miles from the hotel

Crystal Cathedral

- Famous worship center
- Located 1 mile from the hotel

Discovery Science Center

- Family science exhibits and programs
- Located 5 miles from the hotel

Bowers Museum of Cultural Art

- Art and exhibits from around the world
- Located 4 miles from the hotel

World-Famous Beaches

- Huntington Beach – 12 miles
- Newport Beach – 15 miles
- Laguna Beach – 20 miles





Hyatt Regency Orange County
 11999 Harbor Boulevard
 Garden Grove, CA 92840
 T: 714 740 6032
 F: 714 971 1721
www.orangecounty.hyatt.com

Local Restaurants

Walking distance from the hotel:

	<u>Cuisine</u>	<u>Telephone</u>	<u>Price Scale</u>
TusCA	Italian	At Hotel	\$\$
OC Brewhouse	American	At Hotel	\$\$
Starbucks	Café	At Hotel	\$
Oggi's Pizza	American	714.534.3599	\$\$\$
Buca di Beppo	Italian	714.740.1087	\$\$
Outback Steakhouse	Steakhouse	714.663.1107	\$\$\$
Joe's Crab Shack	Seafood	714.703.0505	\$\$\$
Red Robin	American	714.971.4775	\$\$
Coco's Bakery	American	714.772.0414	\$\$
La Casa Garcia	Mexican	714.740.1108	\$\$

Within 10 minutes of the hotel:

	<u>Cuisine</u>	<u>Telephone</u>	<u>Price Scale</u>
Alcatraz Brewing Company	American	714.939.8686	\$\$
Bubba Gump	Seafood	714.635.4867	\$\$\$
Café Tu Tu Tango	Appetizers	714.769.2222	\$\$
California Pizza Kitchen	American	714.991.0305	\$\$\$
Cheesecake Factory	American	714.533.7500	\$\$\$
El Torito	Mexican	714.939.6711	\$\$
ESPN Zone	American	714.300.3776	\$\$
Koji's Sushi & Shabu Shabu	Japanese	714.769.0200	\$\$\$
Market Broiler	Seafood	714.769.FISH	\$\$\$
Morton's Steakhouse	Steakhouse	714.621.0101	\$\$\$\$
PF Changs	Chinese	714.507.2021	\$\$\$
Ralph Brennan's Jazz Kitchen	Creole	714.776.5200	\$\$\$
Red Lobster	Seafood	714.638.9500	\$\$
Ruth's Chris	Steakhouse	714.750.5466	\$\$\$\$
The White House	Italian	714.772.1381	\$\$\$\$

Price Scale:

\$\$

\$5-\$10

\$\$\$

\$10-\$18

\$\$\$\$

Over \$18





Pacific Council Meeting Schedule 2013-2014

2013	
DATES	LOCATION
March 6-11, 2013 Advisory Bodies may begin Tue, March 5 Council Session begins Thu, March 7	Hotel Murano 1320 Broadway Plaza – Tacoma, WA 98402 Phone: 888-862-3255
April 6-11, 2013 Advisory Bodies may begin Fri, Apr 5 Council Session begins Sat, April 6	Sheraton Portland Airport Hotel 8235 NE Airport Way – Portland, OR 97220 Phone: 503-281-2500
June 20-25, 2013 Advisory Bodies may begin Tue, June 18 Council Session begins Thu, June 20	Hyatt Regency Orange County 11999 Harbor Blvd – Garden Grove, CA 92840 Phone: 714-750-1234
September 12-17, 2013 Advisory Bodies may begin Wed, Sept 11 Council Session begins Thu, Sept 12	Doubletree Hotel Boise Riverside 2900 Chinden Blvd - Boise, ID 83714 Phone: 208-343-1871
November 1-6, 2013 Advisory Bodies may begin Thur, Oct 31 Council Session begins Fri, Nov 1	Hilton Orange County/Costa Mesa 3050 Bristol Street - Costa Mesa, CA 92626 Phone: 714-540-7000
2014	
DATES	LOCATION
March 8-13, 2014 Advisory Bodies may begin Fri, March 7 Council Session begins Sat, March 8	Doubletree Hotel Sacramento 2001 Point West Way - Sacramento, CA 95815 Telephone: 916-929-8855
April 5-10, 2014 Advisory Bodies may begin Fri, April 4 Council Session begins Sat, April 5	Hilton Vancouver Washington 301 W Sixth Street – Vancouver, WA 98660 Telephone: 360-993-4500
June 20-25, 2014 Advisory Bodies may begin Thu, June 19 Council Session begins Fri, June 20	Hyatt Regency Orange County 11999 Harbor Boulevard – Garden Grove, CA 92840 Telephone: 714-750-1234
September 12-17, 2014 Advisory Bodies may begin Thu, Sept 11 Council Session begins Fri, Sept 12	DoubleTree by Hilton Spokane City Center 322 N Spokane Falls Court – Spokane, WA 99201 Telephone: 509-455-9600
November 14-19, 2014 Advisory Bodies may begin Thurs, Nov 13 Council Session begins Fri, Nov 14	Hilton Orange County/Costa Mesa 3050 Bristol Street - Costa Mesa, CA 92626 Phone: 714-540-7000



Pacific Council Meeting Schedule 2014-2015

2014	
DATES	LOCATION
March 8-13, 2014 Advisory Bodies may begin Fri, March 7 Council Session begins Sat, March 8	Doubletree Hotel Sacramento 2001 Point West Way - Sacramento, CA 95815 Telephone: 916-929-8855
April 5-10, 2014 Advisory Bodies may begin Fri, April 4 Council Session begins Sat, April 5	Hilton Vancouver Washington 301 W Sixth Street – Vancouver, WA 98660 Telephone: 360-993-4500
June 20-25, 2014 Advisory Bodies may begin Thu, June 19 Council Session begins Fri, June 20	Hyatt Regency Orange County 11999 Harbor Boulevard – Garden Grove, CA 92840 Telephone: 714-750-1234
September 12-17, 2014 Advisory Bodies may begin Thu, Sept 11 Council Session begins Fri, Sept 12	DoubleTree by Hilton Spokane City Center 322 N Spokane Falls Court – Spokane, WA 99201 Telephone: 509-455-9600
November 14-19, 2014 Advisory Bodies may begin Thurs, Nov 13 Council Session begins Fri, Nov 14	Hilton Orange County/Costa Mesa 3050 Bristol Street - Costa Mesa, CA 92626 Phone: 714-540-7000
2015	
DATES	LOCATION
March 7-12, 2015 Advisory Bodies may begin Fri, March 6 Council Session begins Sat, March 7	Hilton Vancouver Washington 301 W Sixth Street – Vancouver, WA 98660 Telephone: 360-993-4500
April 11-16, 2015 Advisory Bodies may begin Fri, Apr 10 Council Session begins Sat, April 11	California
June 12-17, 2015 Advisory Bodies may begin Thu, June 11 Council Session begins Fri, June 12	DoubleTree by Hilton Spokane City Center 322 N Spokane Falls Court – Spokane, WA 99201 Telephone: 509-455-9600
September 11-16, 2015 Advisory Bodies may begin Thu, Sept 10 Council Session begins Fri, Sept 11	Doubletree Hotel Sacramento 2001 Point West Way - Sacramento, CA 95815 Telephone: 916-929-8855
November 14-19, 2015 Advisory Bodies may begin Fri, Nov 13 Council Session begins Sat, Nov 14	California, Oregon, or Washington

5/30/2013 6:30 PM